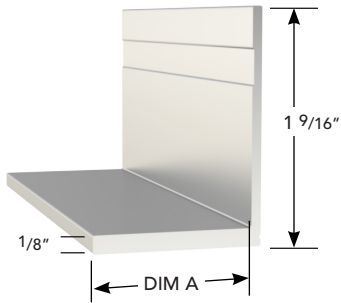




INSTALLATION DETAIL / Cross Section

1/8" POST TERMINATION - PRODUCT DETAIL

ARCHITECTURAL PANEL PRODUCTS INDUSTRIES, LLC



USAGE

APPI 1/8" Post Termination installs with 1/2", 3/4" or 1" APPI panels and provides a 1/8" thick, straight and uniform post horizontally or vertically between panels.



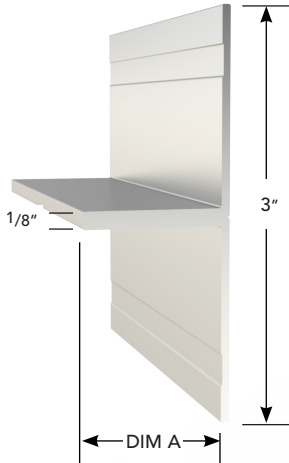
GUIDE SPECIFICATION

Where indicated on drawings, APPI 1/8" Post Termination, shall be installed. Aluminum shall be extruded alloy 6063 T5, with clear anodized, color anodized or powder coat finish.

SIZES

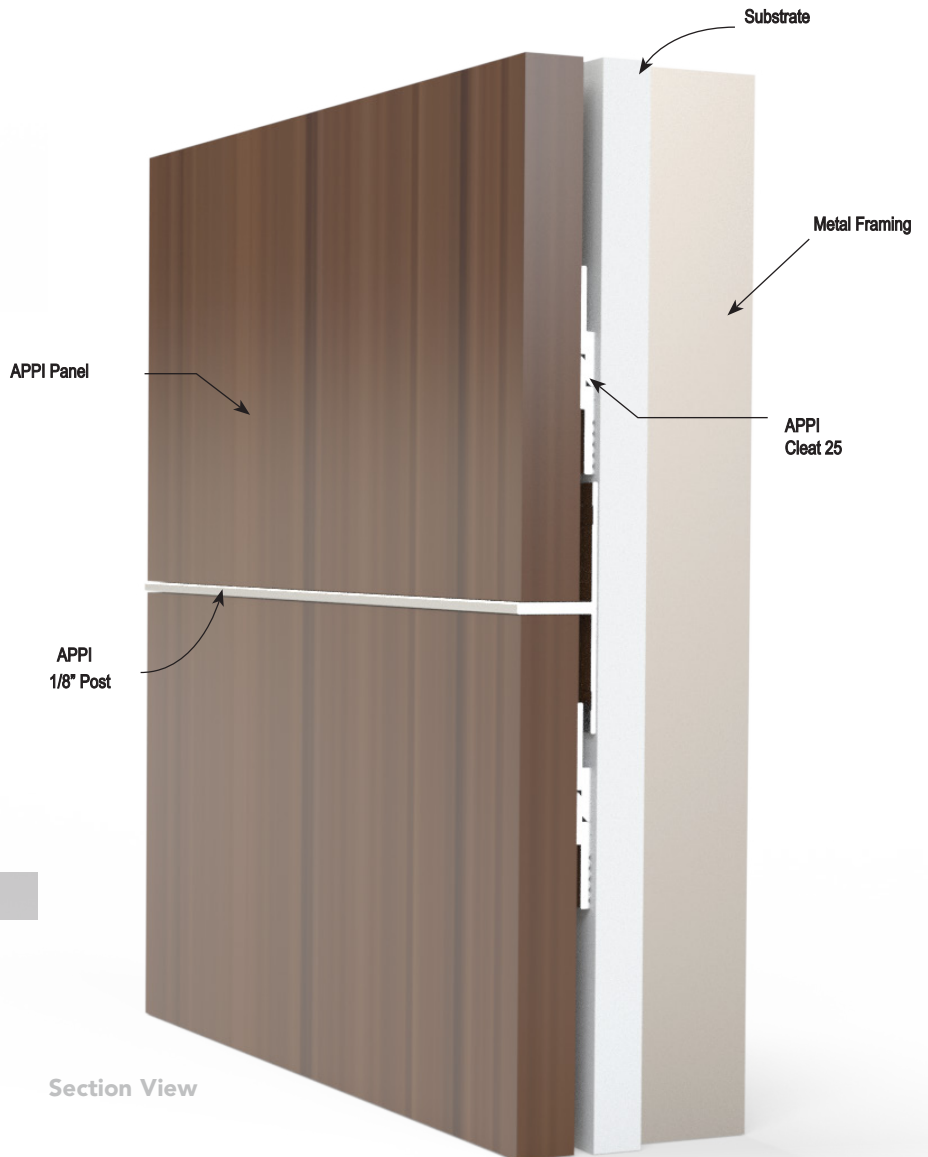
DIM A	NUMBER
1/2"	APPT12550
3/4"	APPT12575
1"	APPT125100

Section View



**USAGE**  
 APPI 1/8" Post installs with 1/2", 3/4" or 1" APPI panels and provides a 1/8" thick, straight and uniform post horizontally or vertically between panels.

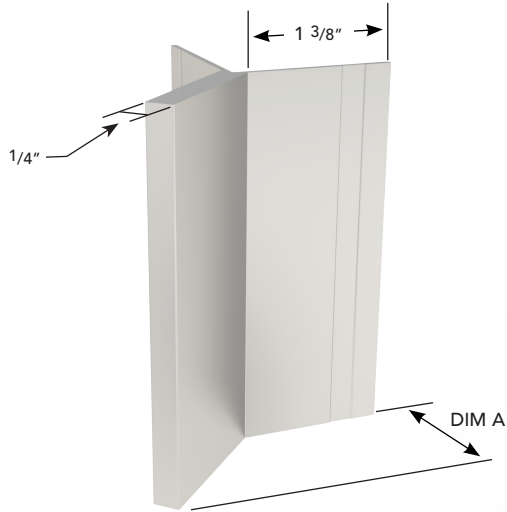
**GUIDE SPECIFICATION**  
 Where indicated on drawings, APPI 1/8" Post, shall be installed. Aluminum shall be extruded alloy 6063 T5, with clear anodized, color anodized or powder coat finish.



**SIZES**

DIM A	NUMBER
1/2"	APP12550
3/4"	APP12575
1"	APP125100

Section View

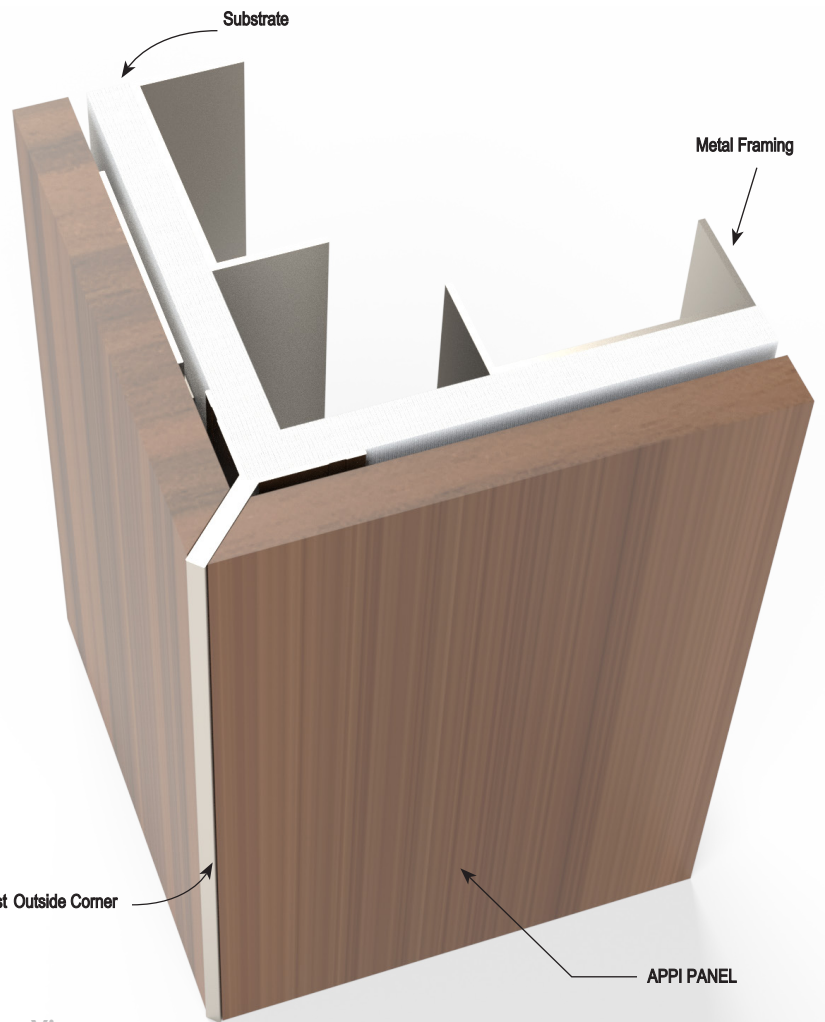


**USAGE**  
 APPI 1/4" Post Outside Corner installs with 1/2", 3/4" or 1" APPI panels at 90 degree outside corners, is abuse resistant, and provides a straight and uniform 1/4" exposed post at edges of APPI panels.

**GUIDE SPECIFICATION**  
 Where indicated on drawings, APPI 1/4" Post Outside Corner, shall be installed. Aluminum shall be extruded alloy 6063 T5, with clear anodized, color anodized or powder coat finish.

**SIZES**

DIM A	NUMBER
1/2"	APPOSC2550
3/4"	APPOSC2575
1"	APPOSC25100



Section View