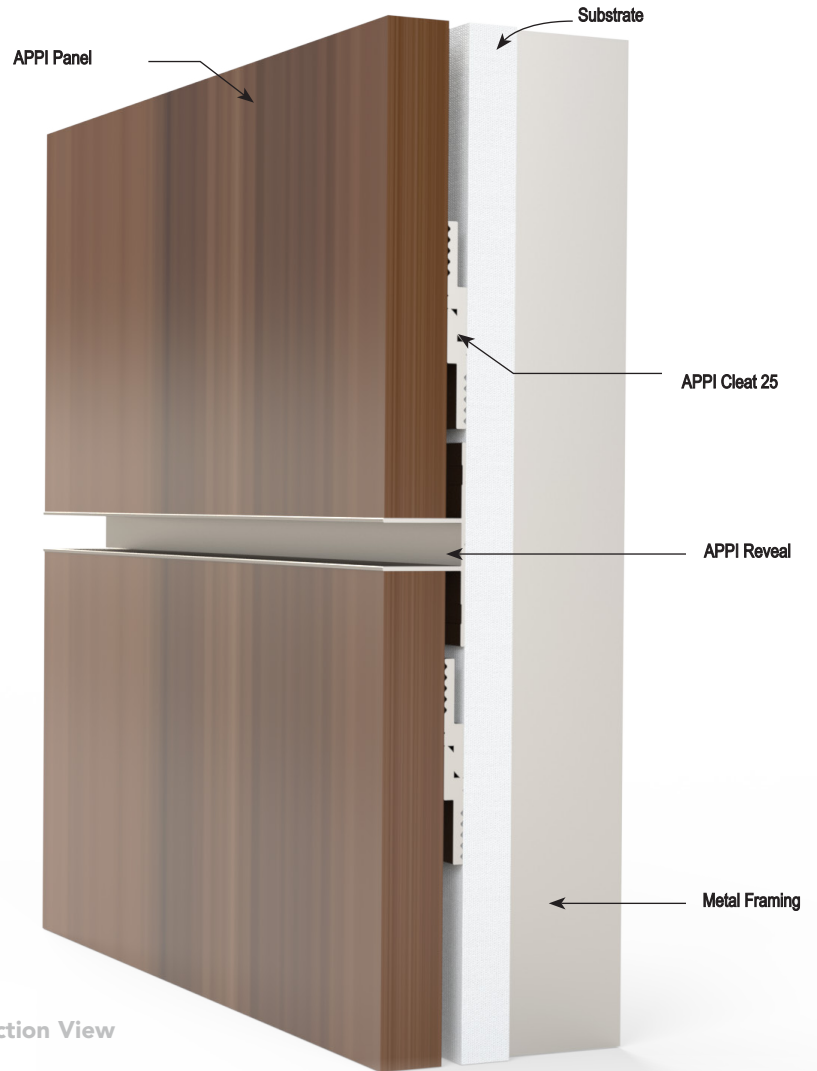


USAGE

APPI Reveal installs with 1/2", 3/4" or 1" APPI panels and provides a straight, uniform reveal horizontally or vertically between panels.

GUIDE SPECIFICATION

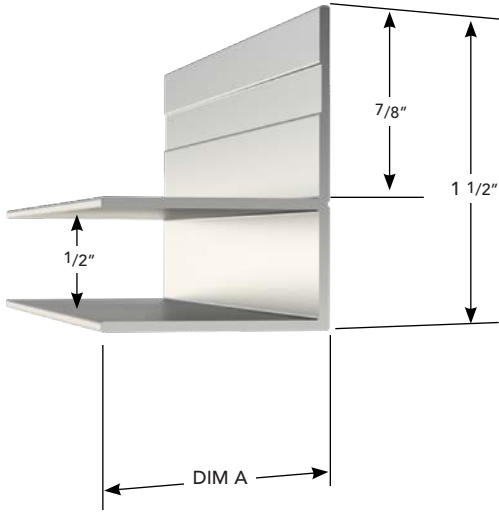
Where indicated on drawings, APPI Reveal, shall be installed. Aluminum shall be extruded alloy 6063 T5, with clear anodized, color anodized or powder coat finish.



Section View

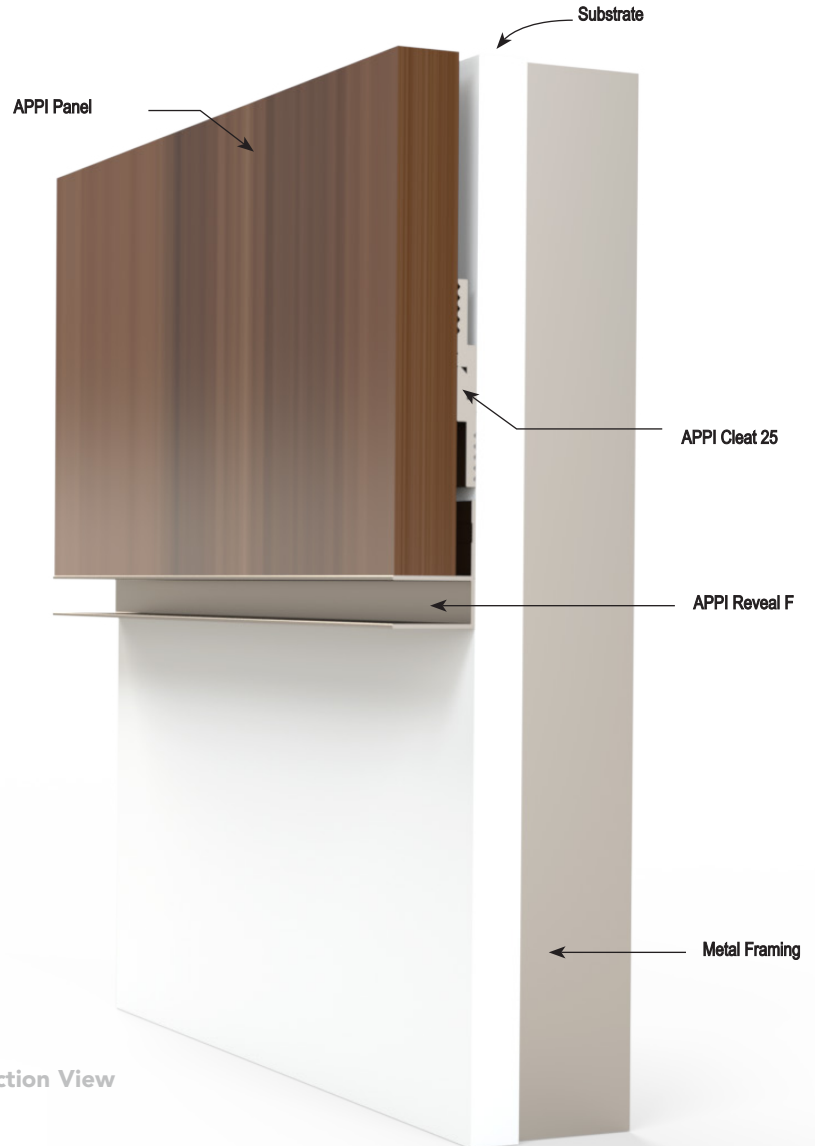
SIZES

DIM A	NUMBER
1/2"	APR5050
3/4"	APR7550
1"	APR10050



USAGE
 APPI Reveal F installs with 1/2", 3/4" or 1" APPI panels and provides a straight, uniform reveal horizontally or vertically between panels.

GUIDE SPECIFICATION
 Where indicated on drawings, APPI Reveal F, shall be installed. Aluminum shall be extruded alloy 6063 T5, with clear anodized, color anodized or powder coat finish.



Section View

SIZES	
DIM A	NUMBER
1/2"	APRF5050
3/4"	APRF7550
1"	APRF10050